

- SP-JK6-01 / Black color
- SP-JK6-02 / White color
- SP-JK6-03 / Red color
- SP-JK6-06 / Blue color



SPECIFICATION:

Material

RJ45 JACK:

Housing ABS+PC , UL 94V-0

Contact Bracket: PBT+Glass Fiber

2. RJ45 JACK CONTACT

Material: Phor Bronze witch nickel plated

Finish: 50 micro-inch Gold Plated on Plug contact area.

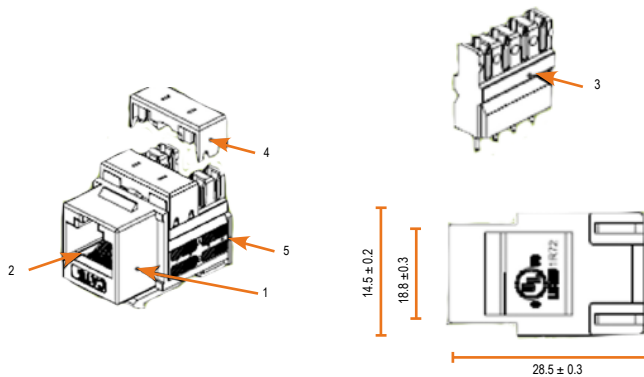
3. IDC

PBT+Glass Fiber UL 94V-2

Terminal: Phosphor Bronze witch nickel plated.

4. IDC CAP:

ABC, UL 94-HB



PERFORMANCE:

A. T568A & T568B Wiring Sticker

B. Insertion Force: 20N max. (IEC 60603-7-4)

C. Retention Strength: 7.7 Kg between Jack and Plug

D. Operating Temperature: (ISO/IEC 11801, ANSI/TIA/EIA 568, B.2)

E. Life (Mating Cycles)

* Jack: 750 cycles min (ISO/IEC 11081, IEC 60603-7-4)

* IDC: Suitable for 22-26 AWG stranded and solid wire, compliance with both 110 & Krone punch down tools.

F. The Cat. 5e transmission performance is in compliance with the ANSI/TIA/EIA 568 B.2 Standard.